

DATASHEET

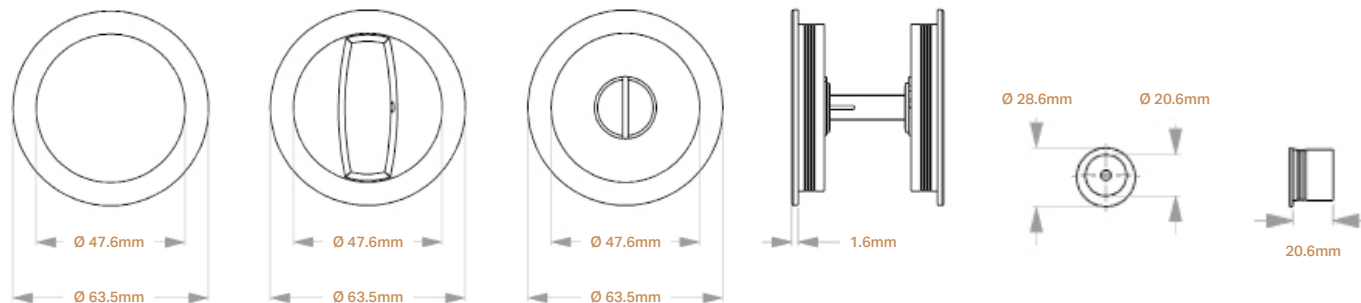
# Flush Lockset

## Product overview

- Door prep rose 2 1/8" (54 mm) to press into door
- Door prep rose 2 3/16" (55 mm) to glue into door
- Door prep finger pull 1" (25 mm) fixed with screw
- Available door thickness 1 3/8" (35 mm), 1 3/4" (45 mm) 2 3/13" (55 mm)  
(Please specify door thickness)
- Backset 2" (49,50 mm)
- Hub 5/16" (8 mm)
- Lock with strike plate to suit 2 1/8" door prep
- Satin stainless steel (71)



## Dimensions (Not to scale)



## Configurations



Outside pull +emergency release inside pull with thumbturn, edge pull, lock, strikeplate

ORDER CODE  
**EPD 71**



Outside/inside pull with thumbturn, edge pull, lock, strike plate.

ORDER CODE  
**EPD PB 71**



Outside/inside pull blank, edge pull.

ORDER CODE  
**EPD OS 71**

## Fire rating

Please note that fire-rated doors require an additional intumescent pack to be fitted at the time of installation. ORDER CODE **ELIP01**

