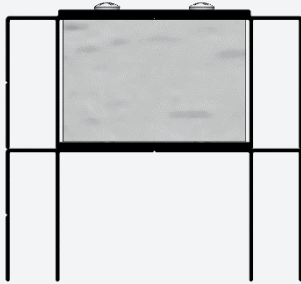


INSTALLATION INSTRUCTIONS

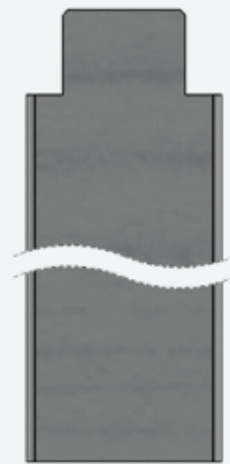
Self-supporting Head

SYSTEM COMPONENTS

Modified June 2020 | Revision 001



Self-supporting top rail assembly

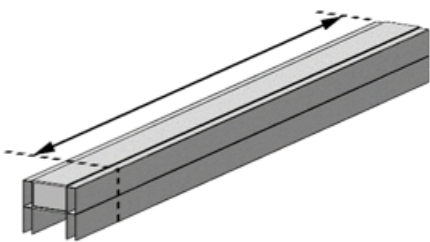


Self-supporting stud

IMPORTANT

Follow standard Enigma instructions to calculate your studwork structural opening and add the following dimensions:

Width +92mm and Height +44mm



1.

Cut down the self-Supporting rail assembly to structural opening width.



2.

Cut down top rail track to structural opening width -180mm.



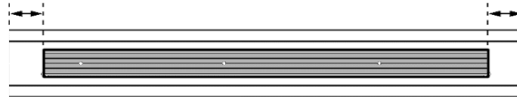
3.

Follow 'Step 3' in the standard Enigma instructions for installing the remote stop.

SELF-SUPPORTING HEAD

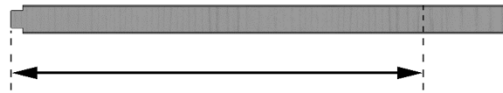
4.

Mark a line from the end of the Head Channel (See measurements). Line the top rail track up with the mark, pilot drill through the holes and fix into place using the screws provided.



5.

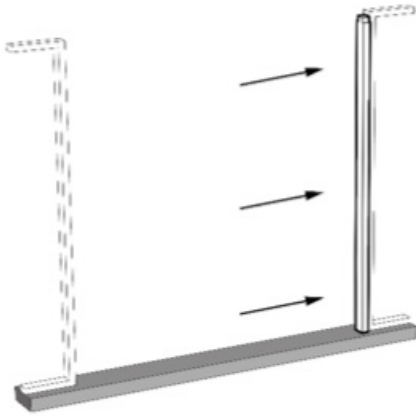
Cut down both vertical supporting timber profiles to structural opening height -45mm.



Head Channel Measurements

NFR concealed trim kit
Mark 113mm from the end of the head channel.

All other kits
Mark 125mm from the end of the head channel.



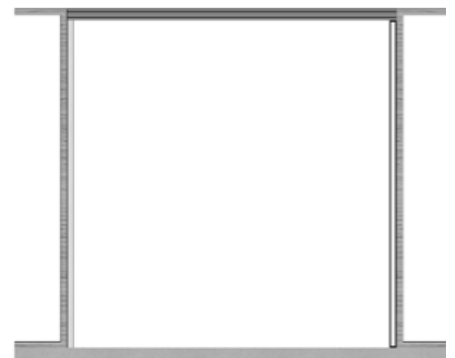
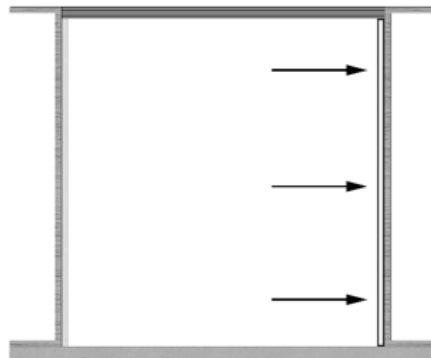
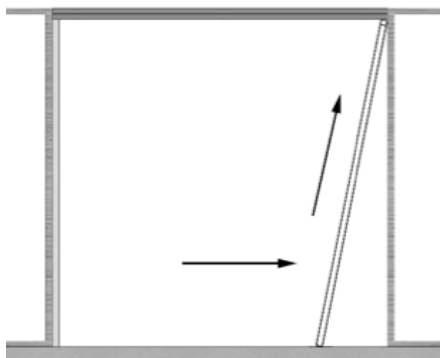
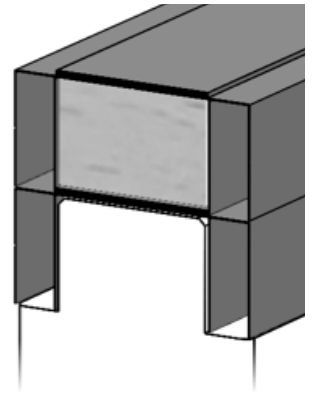
6.

Securely install first vertical supporting timber profile onto studwork.



7.

Install self-supporting top rail onto the vertical supporting timber profile from previous step.



8.

Securely install the second vertical supporting timber profile into top rail. You may require a second person to hold the self-supporting rail assembly in place during this step.