

Self Closer

SEL-PRT-01526 | Rev. 3

Part 2

Enhancement Installation

SUITABLE FOR

EI30 Concealed Frame

EI30 Shadow-Gap

EI30 Visible Trim

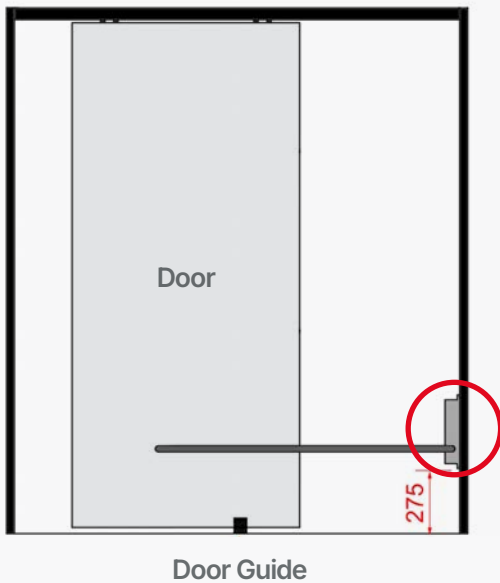
NFR Concealed Frame

NFR Shadow-Gap

NFR Visible Trim



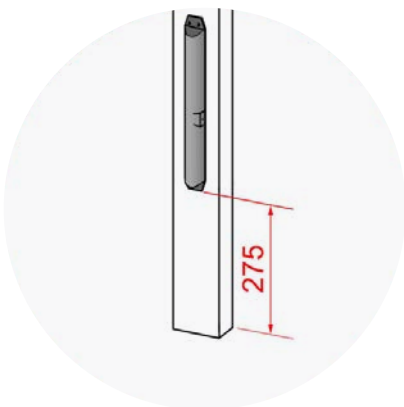
SYSTEM PREPARATION



The Enigma pocket Door system can be provided with an automatic Self Closer. The Closer is provided with infinite adjustment providing an extremely user friendly experience. Suitable for Doors up to 900mm wide.

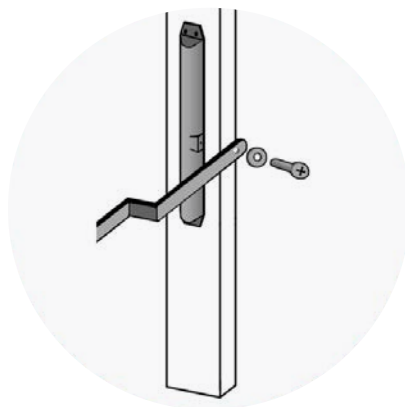
IMPORTANT

- 1. Not suitable for Enigma Acoustic Pocket Doors.
- 2. Do NOT fit Brush Seals they will restrict closing.



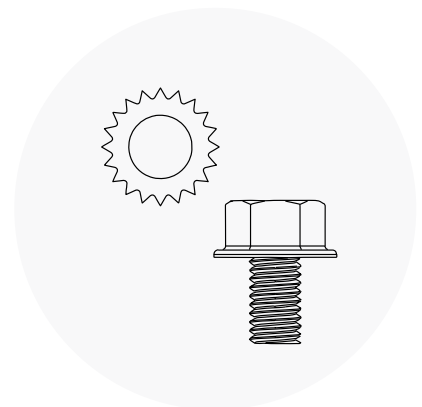
1. FIT CLOSER

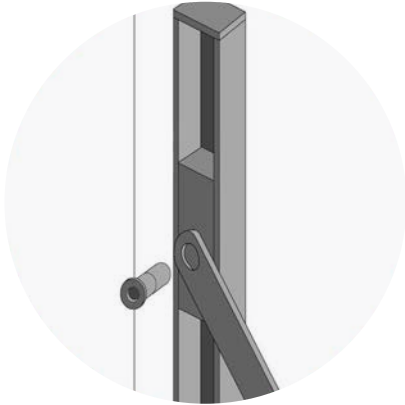
Fit the Closer to the Studwork as pictured, **275mm** from the bottom stud to the underside of the Closer.



2. FIX CONNECTOR

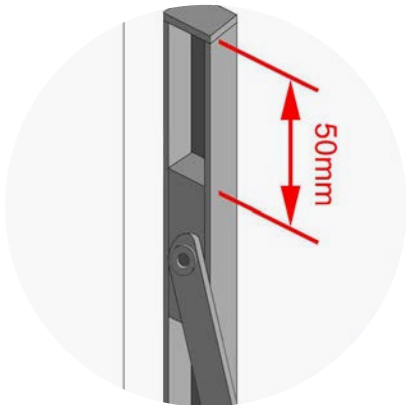
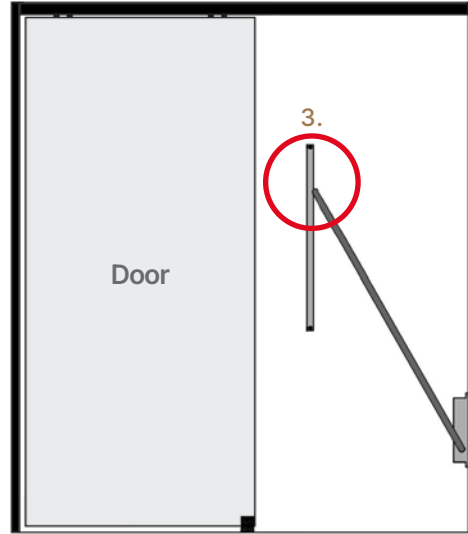
Fix Connector Bar to the Closer horizontally with the dog-leg towards the centre using the serrated washer and bolt provided.





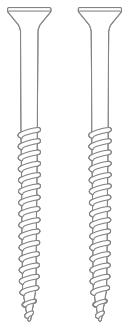
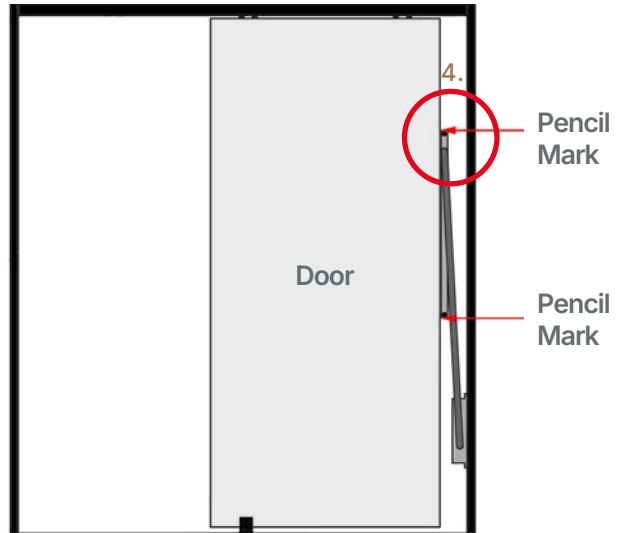
3. CONNECTING BAR

Fix Connector Bar to Sliding Shuttle in Sliding Rail.



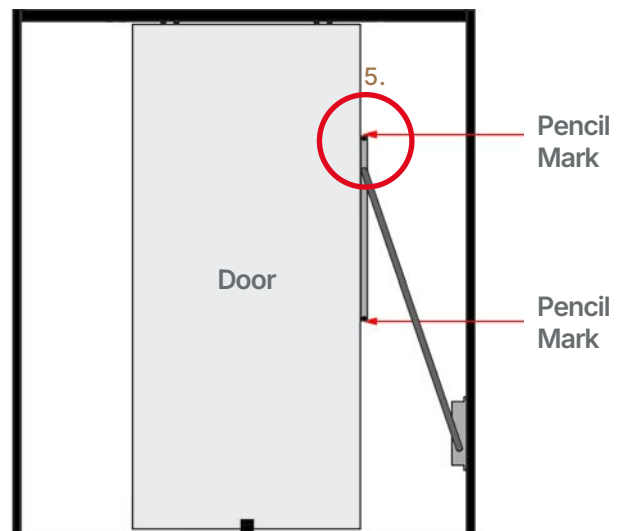
4. MARK DOOR

Fully open the Door, raise the arm and Sliding Rail to the rear edge of the Door. Position Sliding Rail so the Sliding Shuttle is **50mm** from the top of the rail and pencil mark the top and bottom.

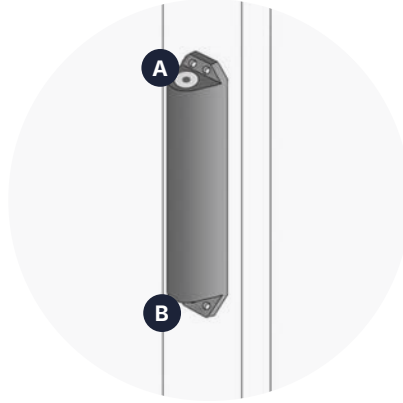
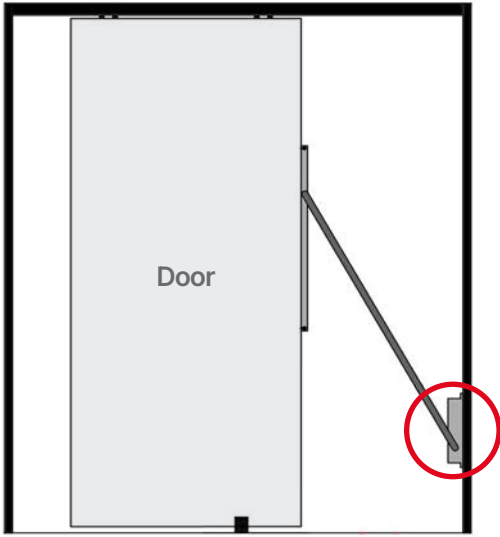


5. FIX TO DOOR

Close Door. Using the pencil marks made in Step 4 align the Sliding Rail and screw-fix using the Screws provided to the rear of the Door.



ADJUSTMENTS



- A** Power
- B** Valve 1

6. ADJUST VALVE 1

From fully open to nearly closed.
Turn Clockwise = Decrease Speed

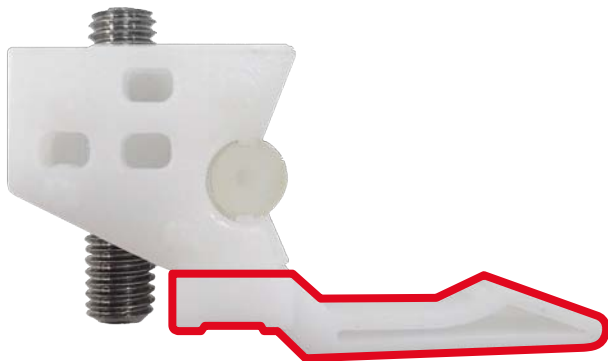
7. TUNE POWER

Adjust Power if required.
Turn Clockwise = Increase Power

8. STOP BLOCK

Adjust height of Stop Block and cushion to required position.

REMOVE DOOR STOP CLIP



9. REMOVE CLIP

Before fitting the Door Stop into the Track please remove the Clip (as shown) and discard.



For help and advice with your installation contact our technical team:

Installation support **020 3880 0339**

Email sales@enigmapocketDoors.com

