

ENIGMA®

SLIDING POCKET DOORS

## Installation Guide



## Acoustic FD30 Concealed Trims

November 2023 | Revision D  
FD30C DB - SEL-PRT-01057



# Thank you for *choosing Enigma*

To ensure the installation process is simple and efficient, we recommended you read this guide in full first. Specific tools are also required to complete the installation:



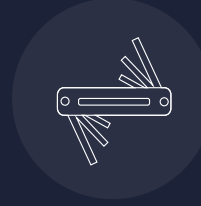
Pencil



Tape Measure



Knife



Hex Keys (metric)



Hacksaw / Tin-snips



Laser Level



Cordless Screwdriver



Power Chop Saw

## Fire certification guidance

**IMPORTANT**

**If fitting a fire rated lock refer to the Global Assessment for intumescent detail or contact Selo.**

**Flush door handles** - Based on the test evidence cited within CNA/F15315 Revision D which permits the machining of the Halspan 30 Prima/Optima door core to a minimum thickness of 18mm in order to achieve a panelled door appearance when using a 54mm overall thick core (in accordance with Section 6.2) or 8mm when using a 44mm overall thick core. Flush door handles may be fitted subject to the limitations below:

1. Where handles are fitted back to back, handle thickness is limited to 9.5mm.
2. Where handles are staggered between the two leaf faces a maximum handle thickness of 13.5mm is permitted, the handle pockets must be separated by a minimum of 100mm of leaf core material.
3. Handle dimensions are limited to a maximum of 600mm in height and 60mm in width at the thicknesses shown above.
4. Handles must be fitted a minimum of 60mm from leaf edges.
5. The pocket formed to receive the handles must be lined with 1mm thick Interdens. Refer to the Global Assessment for intumescent detail or contact Selo.

# Getting started

Before you start installation ensure you have read and understood the instructions.

## DELIVERY

The Enigma pocket door system will be delivered in at least two boxes. One is the pocket frame and the other is the trim surround.

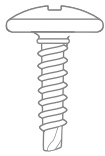
If a door leaf has been ordered this will come separately.



# FD30 C frame kit

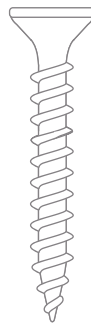
Familiarise yourself with components included. All fixings will come pre-packaged to suit your specific project requirements.

## FRAME FIXINGS



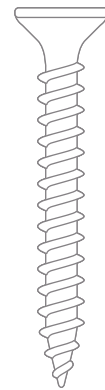
Type-1

19mm self drilling pan head screw



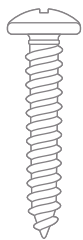
Type-2

40mm screw



Type-3

50mm screw



Type-4

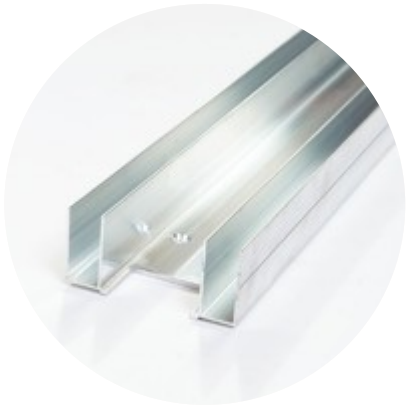
30mm screw



Type-5

25mm self drilling screw

# SYSTEM COMPONENTS



Base Channel



Head Channel



Leading Edge Jamb



Intermediate Jamb



Timber Insert



Remote Stop



Door Guide Pin & Channel Set



Sliding Gear Set



Bubble Seal, Door Seals & Foam Tape

# Wall construction preparation

The Enigma system can be fitted to steel or timber studwork partitions. If using steel you must ensure the head stud is strong enough to take the door weight.

## IMPORTANT INSTALLATION NOTES

### 1. Studwork size

The studwork size required is **94mm**. If using steel studs a 94mm head and base track and **92mm** uprights should be used.

### 2. Steel studs

If using steel studs, timber inserts are required within the studs to provide additional strength.

### 3. Allow for Accessories

If you are using a soft closer, touch latch or simultaneous opening mechanism ensure you familiarise yourself with these instructions first.

### 4. Self-supporting Head

For situations in high rise buildings where you cannot fix to the ceiling or soffit then use the Enigma Self-supporting Head installation detail.

Follow standard Enigma instructions to calculate your studwork structural opening and add the following dimensions:

**Width +94mm** and **Height +44mm**. Refer to the specific Self-supporting Head installation instructions for further details.

## Bespoke requirements?

Enigma can be customised to suit bespoke projects. In principle, the installation process remains the same, however certain installation dimensions may differ.

Please contact the Selo team to discuss your bespoke requirements.

020 3880 0339





# FD30 C Calculations

## REQUIRED ADAPTIONS

**SELF-SUPPORTING HEAD** › Follow the standard Enigma instructions to calculate your studwork structural opening and add the following dimensions: **Width +94mm** and **Height +44mm**

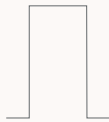
**IMPORTANT** Refer to the specific Self-supporting Head installation instructions for further details.



## OPENING CALCULATIONS



FROM KNOWN  
Door dimensions



CALCULATE  
Structural opening dimensions

### Single Door

Structural opening width  
= x2 Door leaf width -77mm

Structural opening height  
= Door leaf height +77mm



FROM KNOWN  
Door dimensions



CALCULATE  
Clear opening dimensions

### Single Door

Clear opening width  
= Door leaf width -153mm

Clear opening height  
= Door leaf height -18mm



FROM KNOWN  
Structural opening dimensions

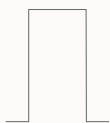


CALCULATE  
Door width and height

### Single Door

Door width  
= Structural opening width +77mm ÷ 2

Door height  
= Structural opening height -77mm



FROM KNOWN  
Clear opening dimensions



CALCULATE  
Door width and height

### Single Door

Door width  
= Clear opening width +153mm

Door height  
= Clear opening height +18mm

## Base Channel Calculations

Please refer to **Step 5** of the **Frame Installation** instructions shown on **page 12**.



1

**STRENGTHEN HEAD**

When constructing your stud partition, please ensure the head is strong enough to take the weight of the sliding door that will hang from it.

**IMPORTANT**

If using a **Self-supporting Head** please refer to those specific installation instructions.

2

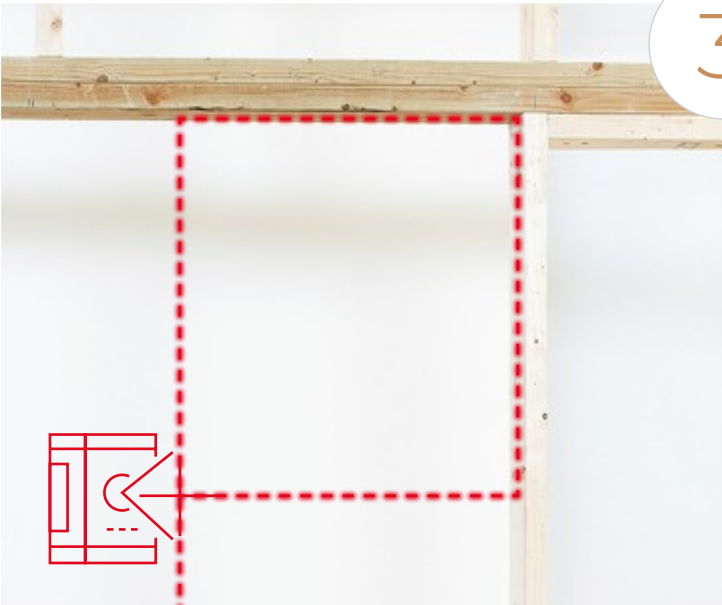
**CHECK SIZE WITH SCHEDULE**

When forming the structural opening, please ensure you are working to the correct opening size provided on the door schedule.

**IMPORTANT**

If using a **Self Closer** please refer to those specific installation instructions.

3

**LEVEL-UP**

Ensure the opening is square and plumb.

**IMPORTANT**

We strongly recommend the use of a laser level for setting out.

# A) Frame installation

**IMPORTANT** Refer to the specific Self-supporting Head installation instructions for further details.



1

## PREPARE HEAD CHANNEL & SLIDING TRACK

**1a** Cut the **Head channel** to suit the structural opening width.

**1b** Remove the **Remote stop**, then cut the sliding top track to the structural opening width, **less 80mm**.



2

## HEAD CHANNEL PREPARATION

**2a** Mark **75mm** from the end of the **Head channel**.

**2b** Line the end of the top track with the mark and pilot drill the holes through the **Head channel**.

**IMPORTANT**  
Ensure the groove in the centre of the track and the head channel line up as shown.

## 3

## INSERT THE REMOTE STOP



Add after groove in the track 'as shown on photo. The white plastic clip needs to be located at the rear of the pocket, the opposite end of the track from that used to mark the **75mm** line on the **Head channel**.

## 4

## FIT THE HEAD CHANNEL AND TOP TRACK



4a



4b

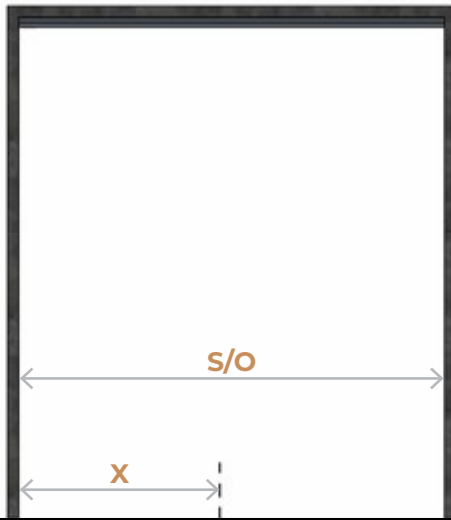
**4a** Put the **Head channel** in place and fix using **Type-2** screws. The end with 75mm marked butts against the strike stud.

**4b** Line the top track with the pilot drilled holes and fix using **Type-3** screws. Only use the silver **Type-3** screw provided to secure the track into place - Use of a larger screw will prevent the **Remote stop** from sliding freely within its groove. It will be necessary to slide the **Remote stop** back to access all the fixing holes in the track.

## Base channel position calculations

FD30 Concealed Trim (C FR)

SINGLE X = Door Width (plus) +5mm



5a



5b

### IMPORTANT

Base channel cut-out may look different if your door is specified with a D-handle.

## 5

### CALCULATE LENGTH OF BASE CHANNEL

#### IMPORTANT

If provided with a cut-to-size system, skip to Step 6

To accurately determine the length of the **Base channel**, first calculate the required clear opening (**X**) using the Base channel position calculations on the left.

Measure back from the **Strike stud** and mark the measurement on floor. *Image 5a*

#### Cutting Base channel to size

Measure the **Structural Opening** and minus the **X** calculation(s).

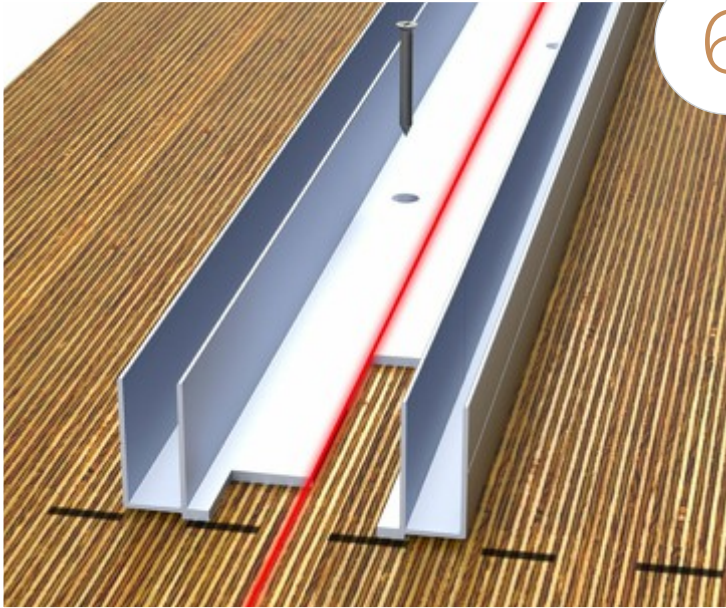
Cut the **Base channel** to this dimension, cutting off the end with the notch. *Image 5b*

Proceed to **Step 6**.



## 6

## LINING UP &amp; FIXING BASE CHANNEL



Place the **Base channel** on the floor between the line marked in **Step 5** and the rear stud.

At this stage it is vital that care is taken to ensure that the centre line of the **Base channel** is in line and plumb with the **Head channel**. Any deviation in this alignment will result in misaligned doors and trims.

Secure to the ground with **Type-2** fixings.

## 7

## CUT LEADING EDGE &amp; INTERMEDIATE JAMB



Cut the **Leading edge jamb** and **Intermediate jamb** 15mm less than the structural opening height.

## 8

## CUT &amp; FIT INTERMEDIATE TIMBER INSERT



Cut the intermediate **Timber insert** 100mm shorter than the aluminium jamb and slide the insert into the **Intermediate jamb** so it sits 50mm from each end.

**IMPORTANT**

When using door leaves wider than 926mm the kit will be supplied with extra intermediate jambs to be fitted equally space within the pocket width.

9

FIT POCKET SIDES & FIX THE JAMB



9a

**9a** Slide the **Intermediate jamb** into the **Head channel** and **Base channel** with the **Timber inserts** facing out so it sits centrally in the pocket. Fix using **Type-1** screws.



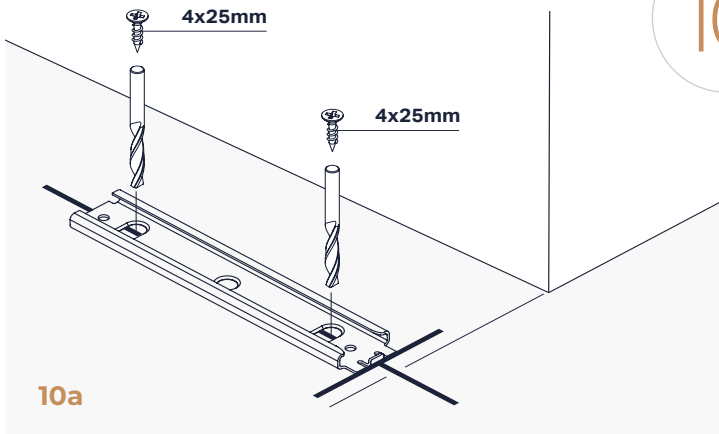
9b

**9b** Slide the **Leading edge jamb** into **Base channel** with notched end at the top, so the flange sits hard against the end of the **Base channel**.

Plumb the jamb and fix into place using one **Type-1** screw top and bottom as shown in the image. Must be posited furthest from the opening.

10

FIT DOOR GUIDE PIN

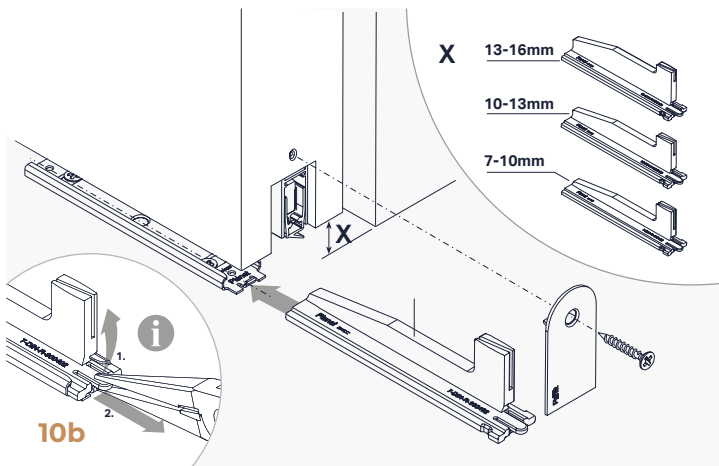


10a

**Flush Handle**

Fix the aluminium floor pin tray to the floor inside the notched end of the base channel ensuring the tab is pointing towards the strike jamb as pictured.

The **floor pin** does **not** need to be installed yet.



10b

## 77

## FOAM TAPE

Offer up the foam tape and cut to size as shown.

Peel the self-adhesive backing off and stick in line with the middle screw hole of the floor pin tray, ensuring that it doesn't overlap the tray onto the floor pin.





## B) Door leaf installation

With the FD30 concealed Enigma system the door leaf needs to be hung before the trim is fitted.



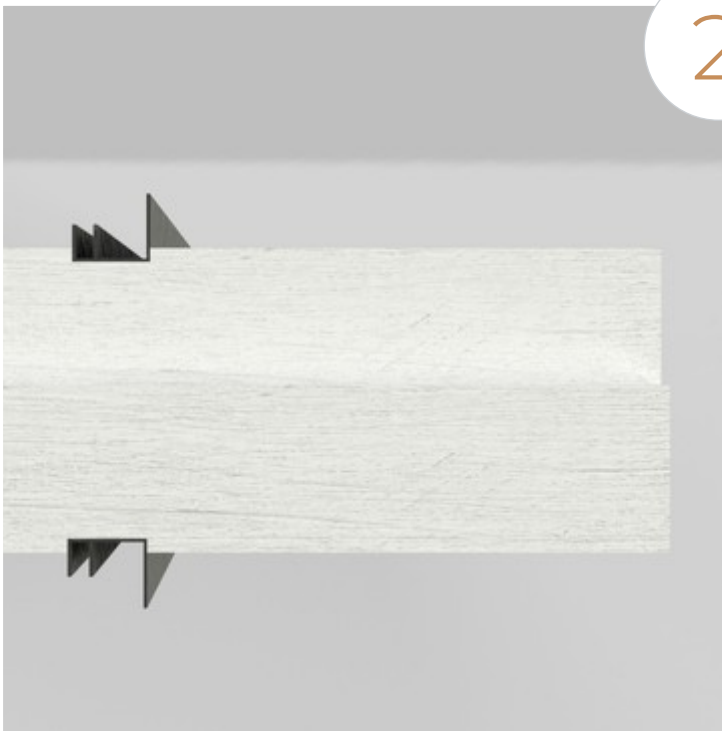
1

### INSTALL BUBBLE SEAL

Cut the **Bubble Seal** to length and fit to the leading edge aluminium profile.

#### IMPORTANT

The seal ends need to be touching the **Head Channel** and **Base Channel** with no joins.



2

### INSTALL VERTICAL SEALS

Install **Vertical Seals** as pictured at the rear of the door.



#### NOTE

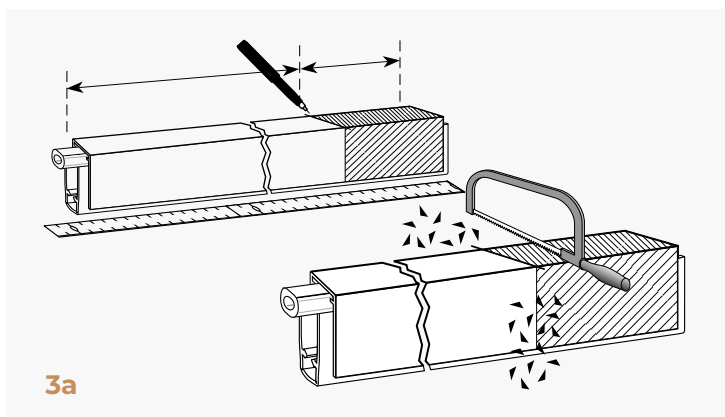
The **Bottom Seal** (shown above) will be pre-installed.

## 3

## INSTALL TOP DROP SEAL IN DOOR

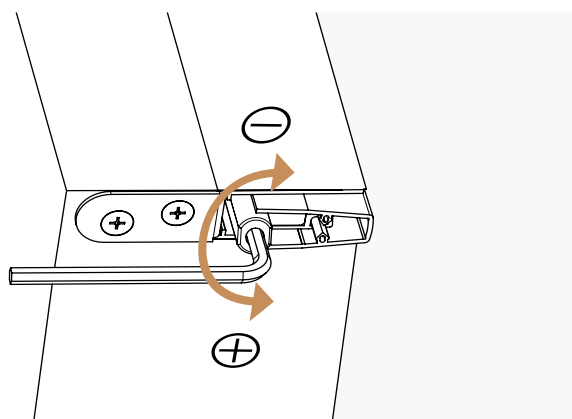
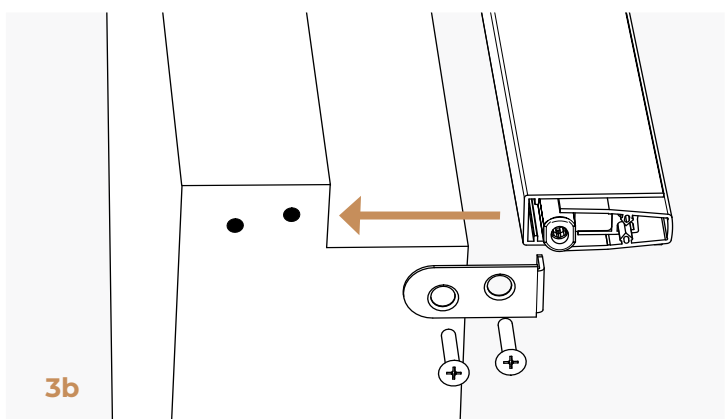


**3a** If cutting down the seal, it should be 1-2mm shorter than the door width. Shorten from the opposite side of the activator. Use a saw to cut the seal, ensuring all shavings are cleared.



**3b** Drill pilot holes in the door for the bracket screws. Insert the seal and screw fix the angle bracket.

**3c** Seal extension can be adjusted with a 3mm Hex Key.



## 4

## INSTALL HANGER BRACKETS



Fit the **Head Brackets** 150mm from the edge of the door leaf to centre of the bracket, ensuring both brackets are the same way up.

Affix through **two holes only** going into the door core using the screws provided.

**IMPORTANT**

Do **NOT** screw into the Top Seal.

## 5

## ASSEMBLE GEAR



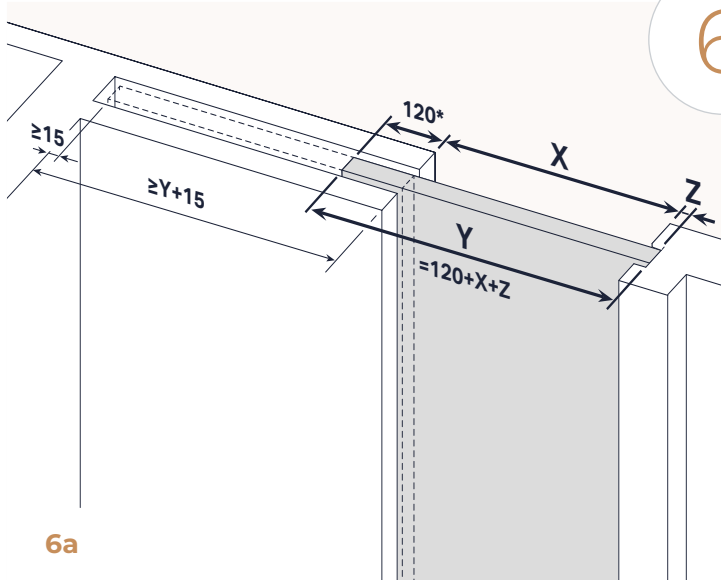
**5a** Screw the bolts into the trolley several turns and then insert the trolleys into the track.

**5b** Adjust the bolts to achieve a gap approximately 20mm between the underside of the track and the top of the bolt.



## 6

## HANG THE DOOR

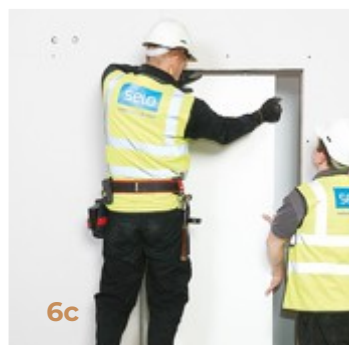


**6a** The bracket fits onto the bolt as shown.

**6b** Feed the rest of the door at least halfway into the pocket and hang the front bracket onto the trolley bolt.

**6c** With spanners provided, wind the bolts up or down to plumb the leading edge of the door and to achieve the required gap under the door (door undercut).

Tighten the locking nuts to secure the door to the brackets. They may need to be slacked-off later, to true the door to the trims once they are fitted.



## 7

## QUALITY CONTROL



Check the functioning of the pocket door to ensure it opens and closes correctly.

When closed check the gaps are consistent and that there is no light bleed.

## 8

## FIT THE POCKET PACKER



In order to support the pocket sides before plasterboarding, insert the **Pocket Packer** into the pocket as shown.

**IMPORTANT**

The **Pocket Packers** must be used to stop the side walls bowing when fixing plasterboard to the pocket.

## 9

## PLASTERBOARD THE WALL



Plasterboard over the pocket along with the rest of the wall using the **Type-5** self drilling screws provided. It is vital to ensure the leading edge jambs remain completely vertical and plumb once boarded.

It is essential to clear out all swarf or debris that may be in the Top Track and Bottom Channel at this stage.

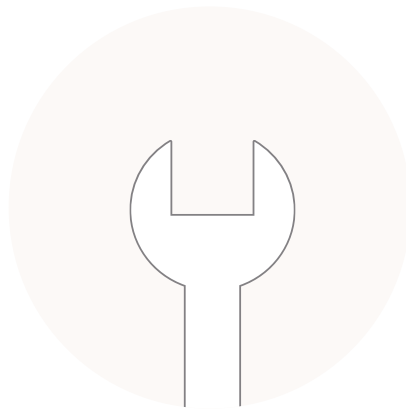
# C) Concealed trim installation

Familiarise yourself with components included. All fixings will come pre-packaged to suit your specific project requirements.

## SUPPLIED TOOLS



Hex Key



Spanner

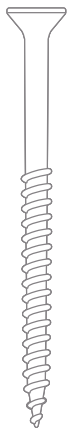
## TRIM FIXINGS



Type-5

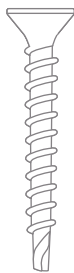
25mm self-drilling screws

## TRIM FIXINGS (cont.)



Type-6

60mm gold screws



Type-7

35mm self drilling  
drywall screws



Type-8

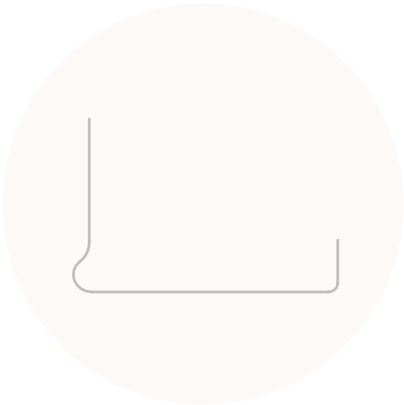
42mm self drilling  
drywall screws



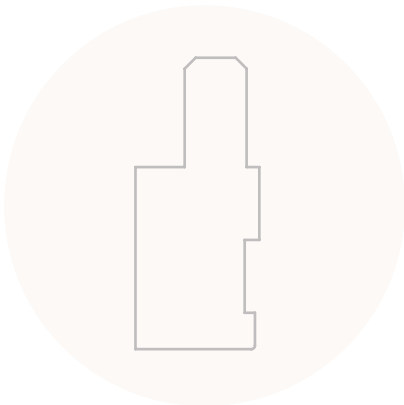
Type-9

50mm gold screws

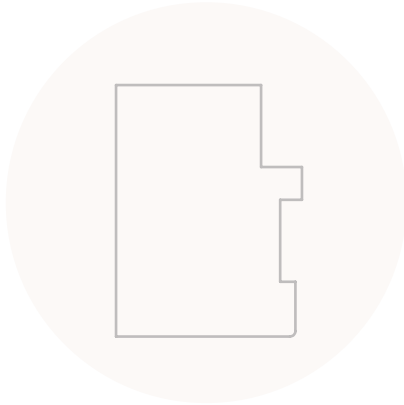
# TRIM COMPONENTS



Concealed Metal Trims  
x6



Head Trim  
x1



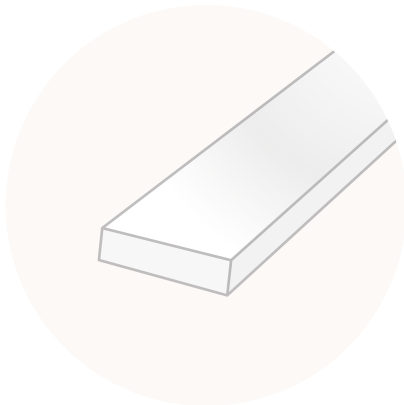
Strike Trim Pt2  
x2



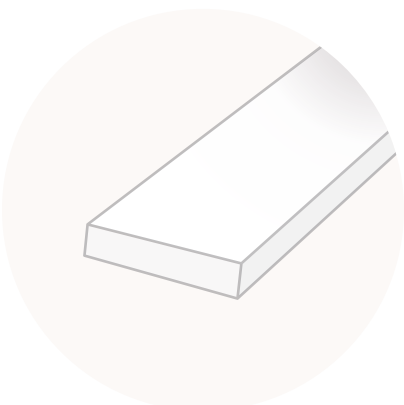
Strike Trim Pt1  
x1



Leading Edge Trim  
x2



Intumescent Seals  
15x4mm



Intumescent Seals  
20x4mm



Strike Jamb Seals



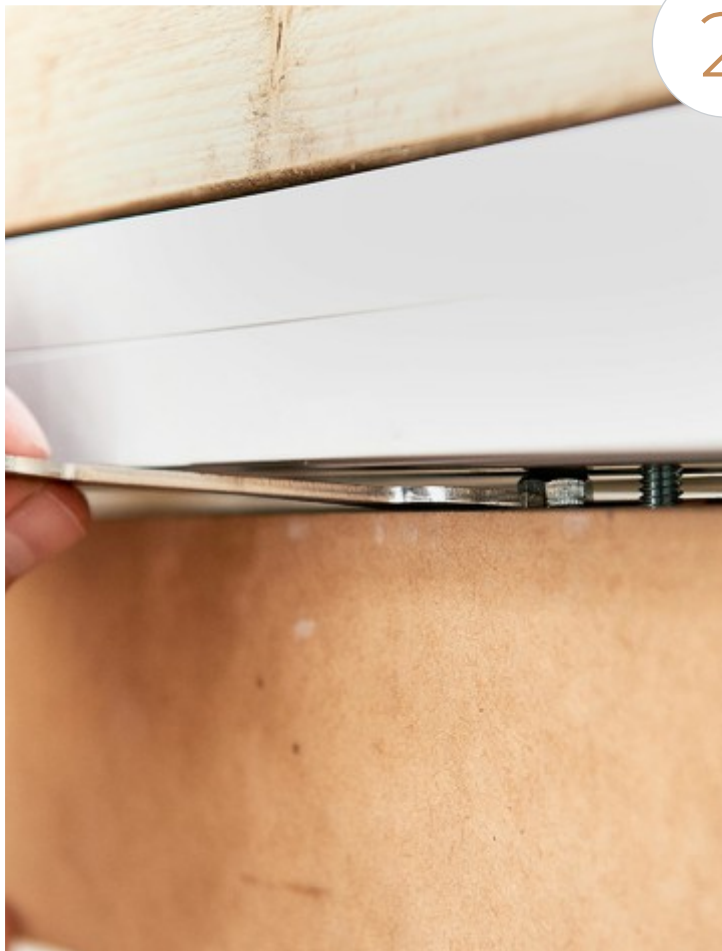


1

## INSTALL LEADING EDGE TRIM

Cut the **Leading Edge Trims** to the height of the opening and slot them over the flange on the leading-edge aluminium jamb, with the grooves for the brush/intumescent seal facing in towards the door.

They must be secured into position with the **Type-5** screws at **300mm** intervals. Please note that the timber will need to be pilot-holed first.



2

## LINE THE DOOR UP

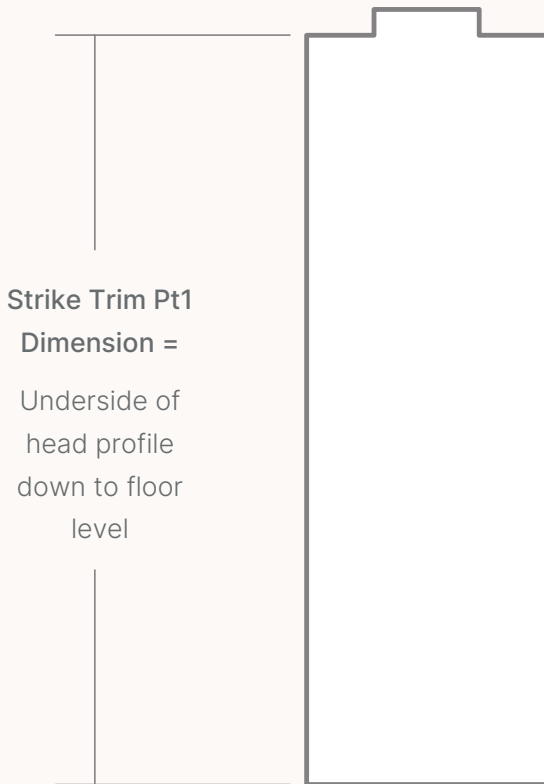
If required, the door can now be trued into alignment with the leading-edge trims by adjusting the hanger bolts up or down as necessary.

When you're happy that everything is aligned and the gaps between the door and trims are equal, lock the bolts firmly into position by winding down the locknuts.



## 3

## CUT TO LENGTH STRIKE TRIMS



Cut **Strike Trim Pt1** as per the drawing measuring from the notch to the end that is not notched.

Cut **Strike Trims Pt2** to the same length.

## 4

## INSTALL STRIKE TRIM

Fit the notched end of **Strike Trim Pt1** centrally in the head channel and plumb down using a level. Fix into place using the **Type-9** screws.

Fit the **Strike Trim Pt2** to either side of **Strike Trim Pt1** and fix into place using the **Type-6** screws.



5

## SET CLOSER STOP



Adjust plastic clip, so the door leaf closes and is held in place, against the strike jamb.

6

## INSTALL HEAD TRIMS



Cut the head trim to the distance between the two timber side jambs. Slot into place in the head using **Type-5** screws.

Screws should be positioned every 300mm.

7

## TAPE &amp; JOINT / PAINT



Now the wall can be tape and jointed and wall and trims painted.

**IMPORTANT**

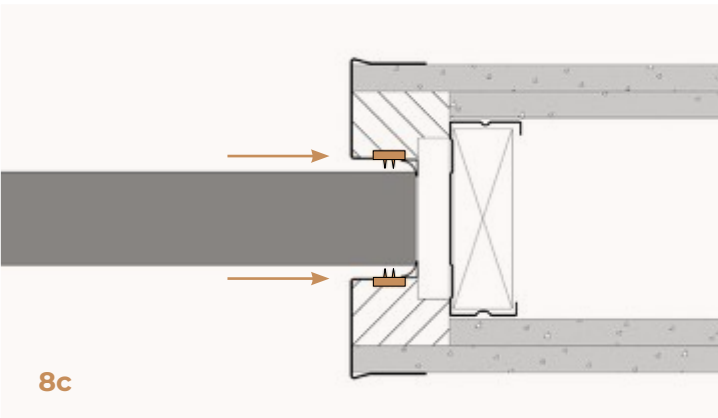
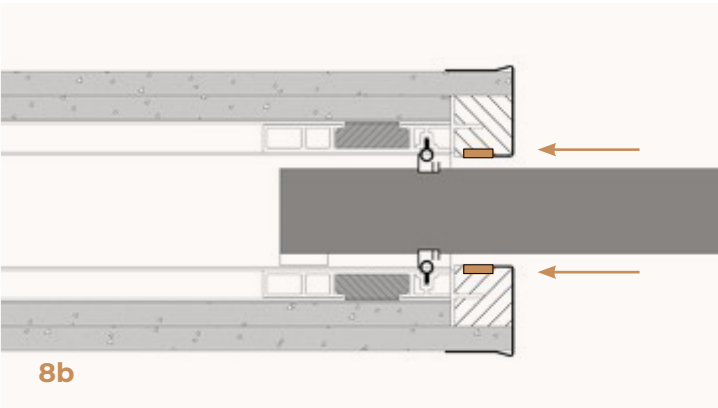
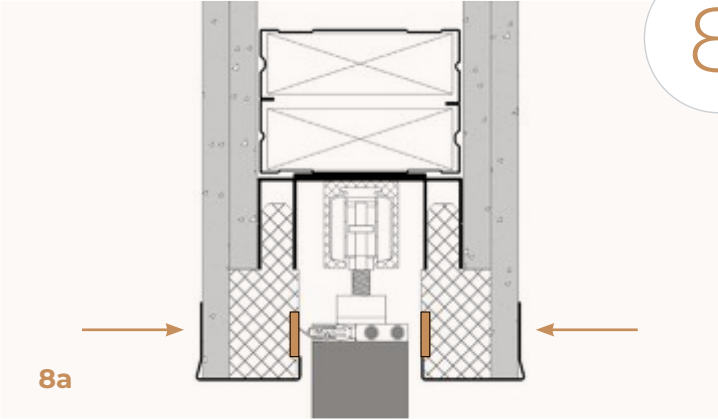
We recommend tape and jointing not plastering.

# 8

## FIT INTUMESCENT SEALS

In order to achieve a FD30 fire rating, intumescent seals must be fitted as shown.

- 8a** Head
- 8b** Leading edge
- 8c** Closing edge



# 9

## FIT BATWING STRIKE SEALS

Fit the rubber seals to the corners of the strike trim as shown.



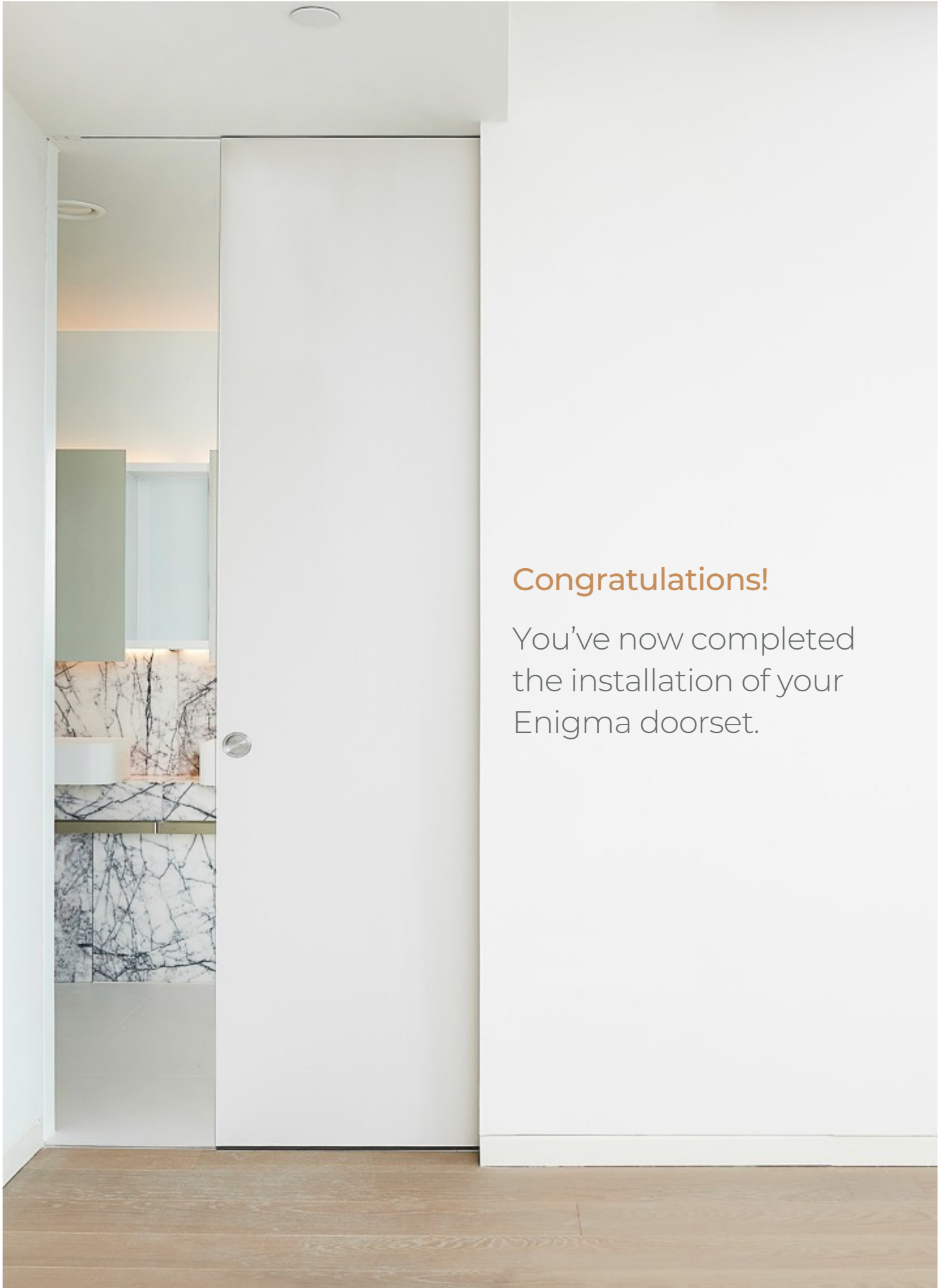
## 10

## ADJUST REMOTE STOP

Adjust the remote-stop so it holds the door **130mm from the Leading Edge Trims** with the leading-edge trims when the rear trolley is engaged on the stop.

When correctly aligned, fix the **Stop** into place with the self-drilling screw provided making sure that all swarf is wiped/hovered from the track. Any debris left in the track will cause the door to 'rumble' as it opens and closes.





## Congratulations!

You've now completed the installation of your Enigma doorset.

Innovation | Configuration | Strength

# The Complete Pocket Door System



Visit our website for the very latest design styles.

[www.enigmapocketdoors.com](http://www.enigmapocketdoors.com)



## ENIGMA®

SLIDING POCKET DOORS

Technical support helpline 020 3880 0339

Email [sales@enigmapocketdoors.com](mailto:sales@enigmapocketdoors.com)

K2 Kents Hill Business Park Timbold Drive Milton Keynes MK7 6TT

INNOVATION BY SELO.